



TECHNICAL DATA SHEET

The Wall-E-Cover, where every vent is covered! Our wall vent covers solve a problem that traditional exhaust vents allow- wildlife entering your home. We have a wide product lineup of home exterior vent covers that prevent wildlife entry into your home through your exhaust vents. This cover is non-rusting, powder coated galvanized steel with a cosmetically appealing finish for all areas of your home or building exterior. It features a fold and play design for easy installation.

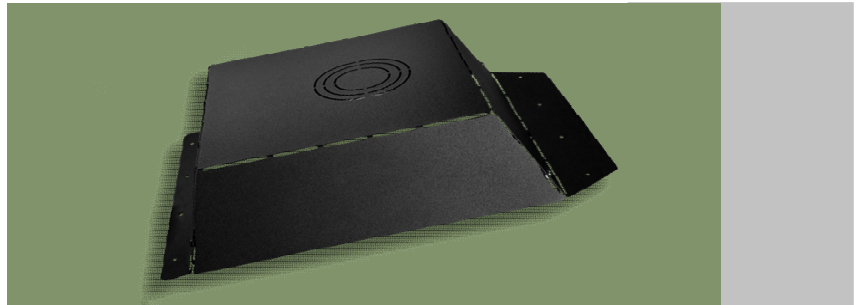
The design eliminates squirrels chewing through your rubber boot flashing and costs incurred as a result of them gaining access to your home through your exhaust vents.

PRODUCT NAME:

ROOF BOOT FLASHING METAL VENT COVER - PLUMBING STACK PIPE COMPATIBLE

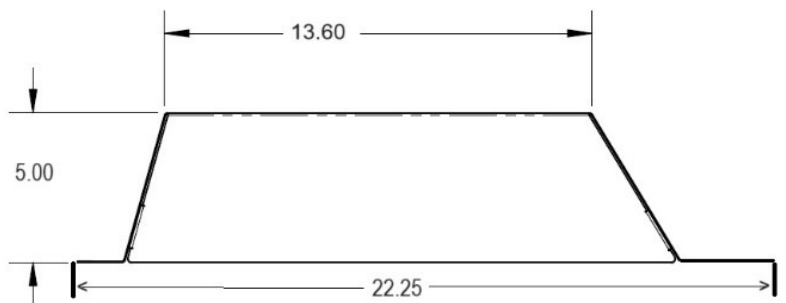
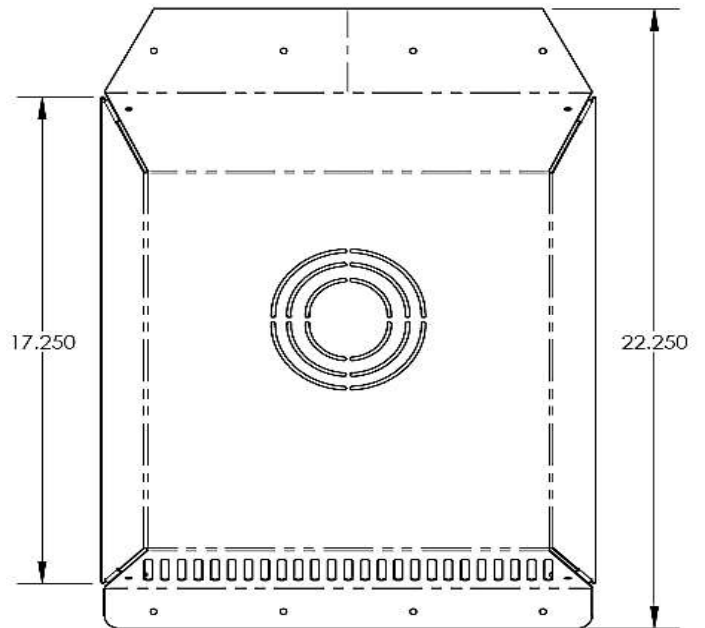
MODEL/UPC

627843367741



TECHNICAL DATA SPECIFICATIONS

SKU Product Number	627843367741
Assembled Height	17.25"
Assembled Width	15.25
Assembled Depth	5
Assembled Height with flaps	22.25
Assembled Width with flaps	15.25
Slit Holes	0.25
Material	Galvanized steel
Finish	Powder Coated
Color	Espresso black textured semi-gloss



Hardware Included

- 4 assembly screws
- No mounting screws included (8 screws required for install)
- Select screws according to your roof finish and thickness

Designed for Vent Type

This vent cover fits most bathroom roof exhaust vents. Specifically compatible with plumbing boot flashing vent. (Knockout for 2 inch, 3inch and 4inch plumbing vent stack pipe) . 3inch pipe insert cover sold separately

MMC DESIGN CONCEPTS INC

675 ARVIN AVENUE STONEY CREEK,
ONTARIO CANADA
L8E 5R2

TEL: 905-638-1600

EMAIL: INFO@WALLECOVER.COM

WEB: WWW.WALLECOVER.COM